

Moose Key Card Access Systems

By MGS Software Solutions LLC

About US:

We were the first to develop such a system back in 2008, have a great reputation nationwide, and have worked hand in hand with Moose International in developing the expansion of our system to accept both Magstripe and QR capabilities. They have tested our systems over the past few months and even installed them at a few lodges for test sites with great results.

Warranty / Support:

All systems come with a 12-month hardware warranty.

Phone support is always available.

Monthly or Yearly Fees:

There are no monthly or hidden fees.

About our system:

Our systems work independently from each other, meaning you will need one per entrance. They are self-installation kits and tie into your existing electric strike and or magnetic lock setup.

They do not need to connect to the internet. There is no need to connect to the LCL.WEB, no need to run long wires from one end of the building to the other, doesn't require to use your personal computer.

Overall Manual and Wire Diagram

How to set up your Moose Key Card Access System.

First, make sure you have all the parts:

1. Main ECU (electronic control unit) with relay attached.
2. Mounting bracket.
3. Power Adaptor.
4. USB Card Swipe.
5. USB QR Scanner.
6. Weather shield.



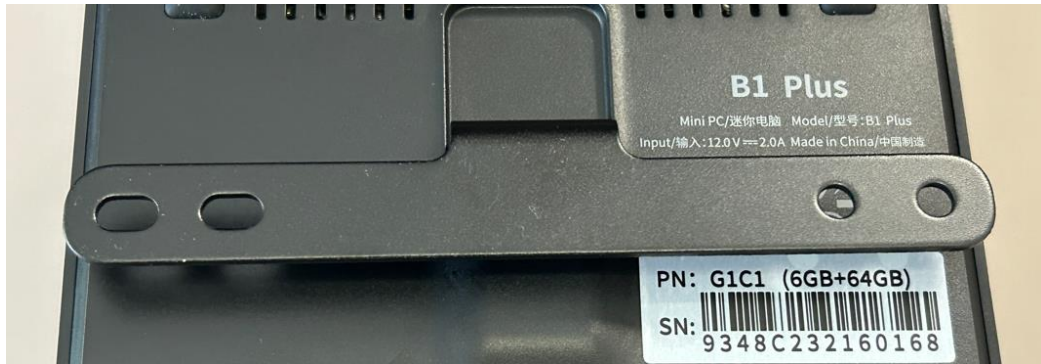
!!STOP!!

BEFORE THE INSTALLATION, MAKE SURE TO CONNECT THE USB CARD SWIPE AND USB QR SCANNER TO THE MAIN ECU AND PLUG IN THE POWER. THE SYSTEM WILL AUTO-TURN ON AND TAKE 2 MINUTES TO BOOT UP. YOU WILL SEE THE GREEN LED FLASH ON THE RELAY WHEN THE SYSTEM IS READY. SWIPE A CARD OR SCAN A QR TO TEST. THE GREEN LED WILL FLASH IF THE MEMBERSHIP CARD IS VALID.

1. First, take note that the USB Card Swipe and USB QR Scanner only have a 4/5 ft connection cable. Based on this, determine where you will mount the ECU by using the mounting bracket supplied.
2. If you are using the provided weather shield push the USB cables through the predrilled hole and mount the card swipe and QR in the orientation shown in the picture below. Not all lodges use the weather shield.



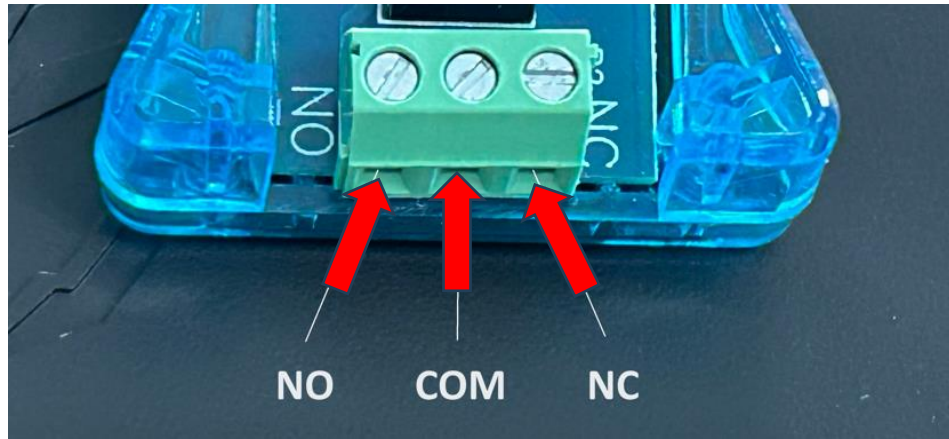
3. Use the provided mounting bracket if you choose to hang the system on the wall.



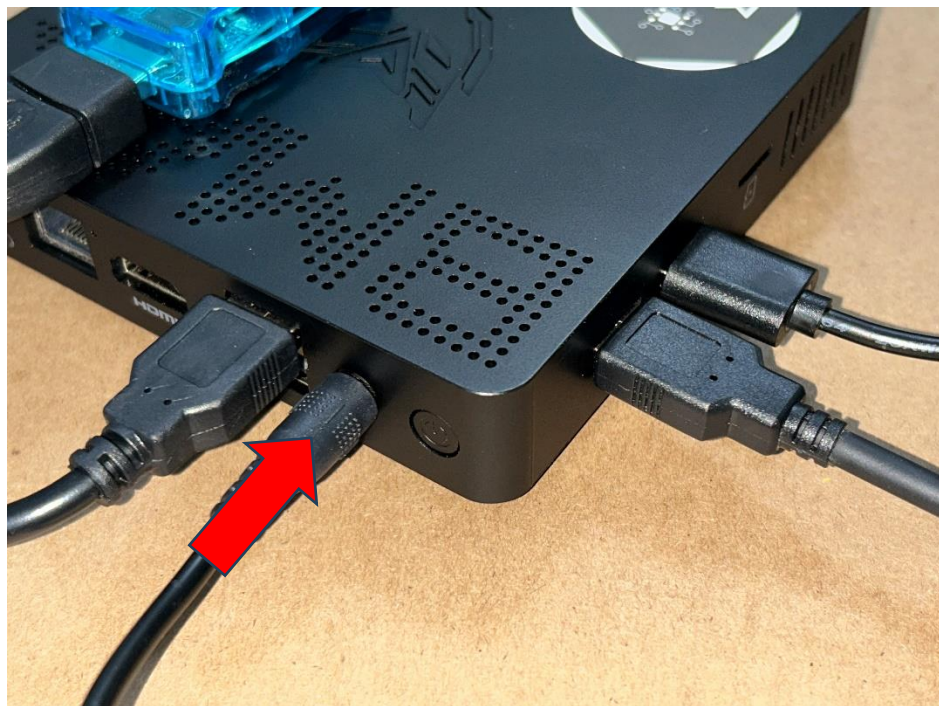
4. Connect both the card swipe and QR into the two USB ports.



- Next connect your existing electronic door latch or magnetic door lock the to relay. This is a standard COM (common), NO (normally open) and NC (normally closed) relay.



- After you have connected everything, the last thing to do is connect the power to the main ECU.



7. Once the power is connected, the system will auto turn on and boot up. This will take up to 2 minutes and you will hear the door lock release to let you know when it's ready to use. You should see a RED light on the relay, BLUE light on the main ECU, GREEN light on the card swipe and the QR should be flashing WHITE.

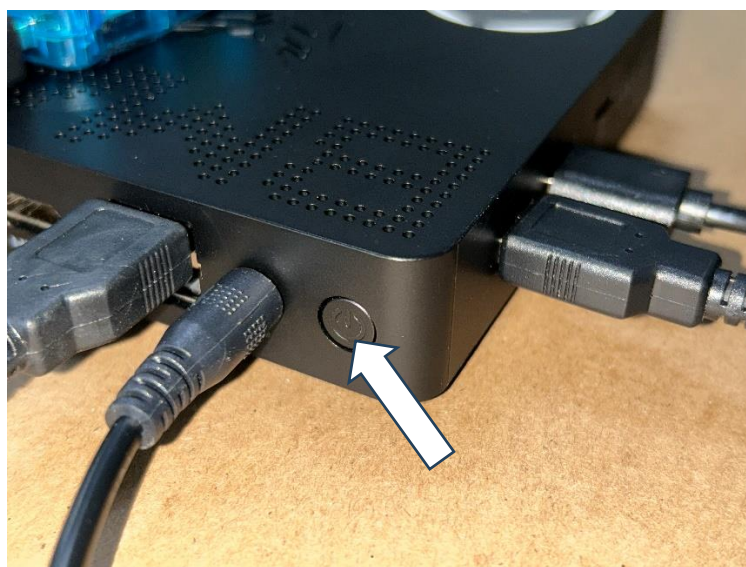


Troubleshooting

1. No green light on the card swipe and QR is not flashing.
 - a. Make sure the power is connected to the main ECU.
2. Green light on card swipe is flashing and QR is flashing.
 - a. Main ECU is not powered on or failed to boot correctly.
 - b. Unplug the power to the main ECU, wait 30 seconds and plug the power back in. Confirm that you see the blue light is on the main unit.



- c. If step b didn't work, push and hold the power button for 10 seconds and release. The system should auto turn on, again confirm if the blue light is on the main unit.

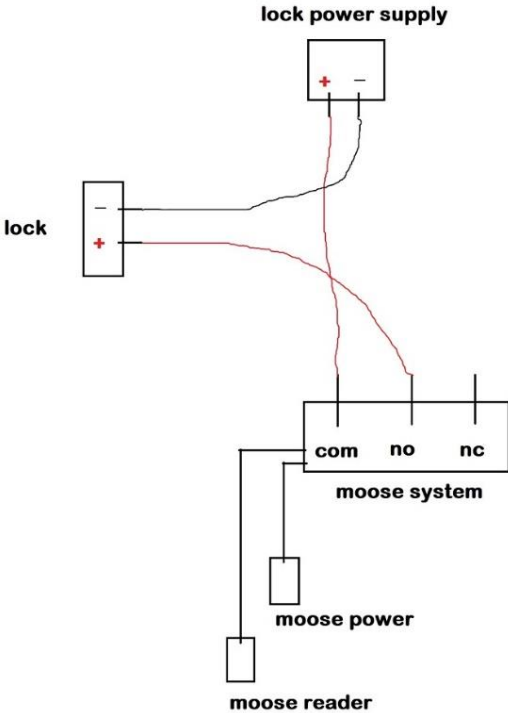


- d. If step c didn't work, unplug the power to the main ECU. Use a paper clip to push and hold the hard reset button for 15 seconds. Then plug the power back in.

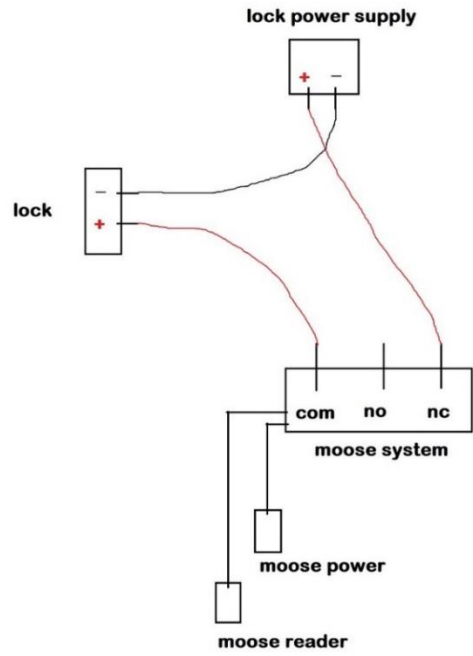


Examples of how to wire a system.

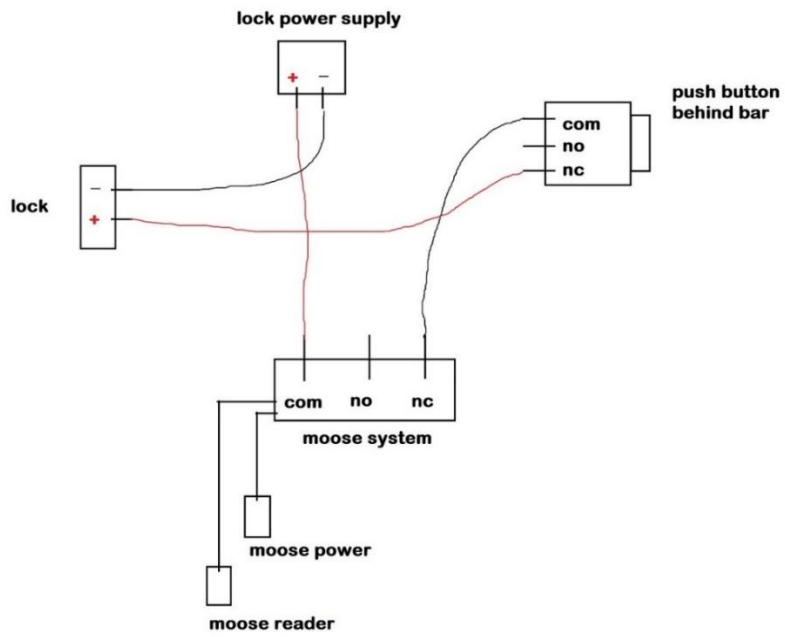
Moose system with electric strike lock



Moose system with magnetic lock



Moose system with magnetic lock and push button



Moose system with electric strike lock and push button

